

SCHEDULE OF SLAB										
SLAB MARKED	SLAB THICKNESS (mm)	REINFORCEMENT ALONG SHORTER SPAN				REINFORCEMENT ALONG LONGER SPAN				DISTRIBUTOR
		AT SUPPORT (BOT.)	AT SUPPORT (TOP)	AT SPAN (BOT.)	AT SPAN (TOP)	AT SUPPORT (BOT.)	AT SUPPORT (TOP)	AT SPAN (BOT.)	AT SPAN (TOP)	
S1	135	8#T @ 200 C/C.	8#T @ 100 C/C.	8#T @ 100 C/C.	8#T @ 200 C/C.	8#T @ 100 C/C.	8#T @ 100 C/C.	8#T @ 100 C/C.	8#T @ 200 C/C. WHERE EVER REQUIRED	
S2	100	8#T @ 250 C/C.	8#T @ 125 C/C.	8#T @ 125 C/C.	8#T @ 250 C/C.	8#T @ 125 C/C.	8#T @ 125 C/C.	8#T @ 125 C/C.	8#T @ 200 C/C. WHERE EVER REQUIRED	
S3	200	10#T @ 250 C/C.	10#T @ 125 C/C.	10#T @ 125 C/C.	10#T @ 250 C/C.	10#T @ 125 C/C.	10#T @ 125 C/C.	10#T @ 125 C/C.	8#T @ 200 C/C. WHERE EVER REQUIRED	

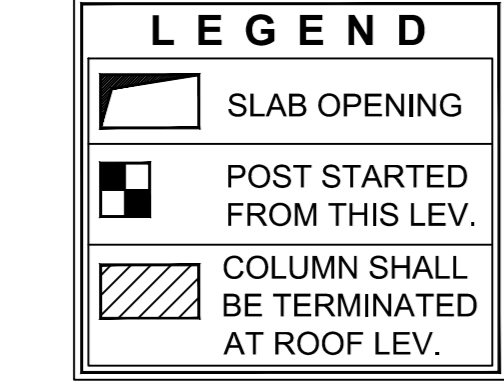
SCHEDULE OF RAFT FOUNDATION BEAMS											
BEAM MKD.	SIZE		REINFORCEMENT						STIRRUPS		
	WIDTH (mm)	DEPTH (mm)	CANTILEVER		SPAN		CONT. SUPP.				
RFB1	600	600	6-16#	6-20#	6-16#	6-16#	6-16#	6-16#	4L-10# @ 100 C/C	12S C/C	100 C/C

SCHEDULE OF RAFT FOOTING SLAB							
FTG. TYPE	FND. DEPTH	FOOTING SIZE		FOOTING SLAB MKD.	FOOTING REINFORCEMENT (TOP & BOTTOM)	FOOTING REINFORCEMENT (Along Short)	
		L (mm)	B (mm)				
RAFT	1500	SEE PLAN	SEE PLAN	RS	450	12# @ 150 C/C	12# @ 150 C/C

SCHEDULE OF STAIR			
WAIST SLAB	MAIN REINF. TOP	MAIN REINF. BOTTOM	BINDERS
150 THK.	12# @ 150 C/C	12# @ 150 C/C	8# @ 200 C/C

SCHEDULE OF STAIR ROOF BEAM:-			
BEAM MARK	SIZE AND REINFORCEMENT DETAIL		STIRRUPS
	AT SUPPORT	AT SPAN	
SRB	3-16# (CONT.) 2-12# 2-16# (CONT.) 1-12# (CONT.)	3-16# (CONT.) 2-12# 2-16# (CONT.) 1-12# (CONT.)	2L 8# @ 125 C/C

REINFORCEMENT DETAIL OF LANDING BEAMS			
BEAM MARK	SIZE AND REINFORCEMENT DETAIL		STIRRUPS
	AT SUPPORT	AT SPAN	
LB1	3-16# (CONT.) 2-12# 2-16# (CONT.) 1-12# (CONT.)	3-16# (CONT.) 2-12# 2-16# (CONT.) 1-12# (CONT.)	2L 8# @ 125 C/C



STOOL COLUMN SCHEDULE

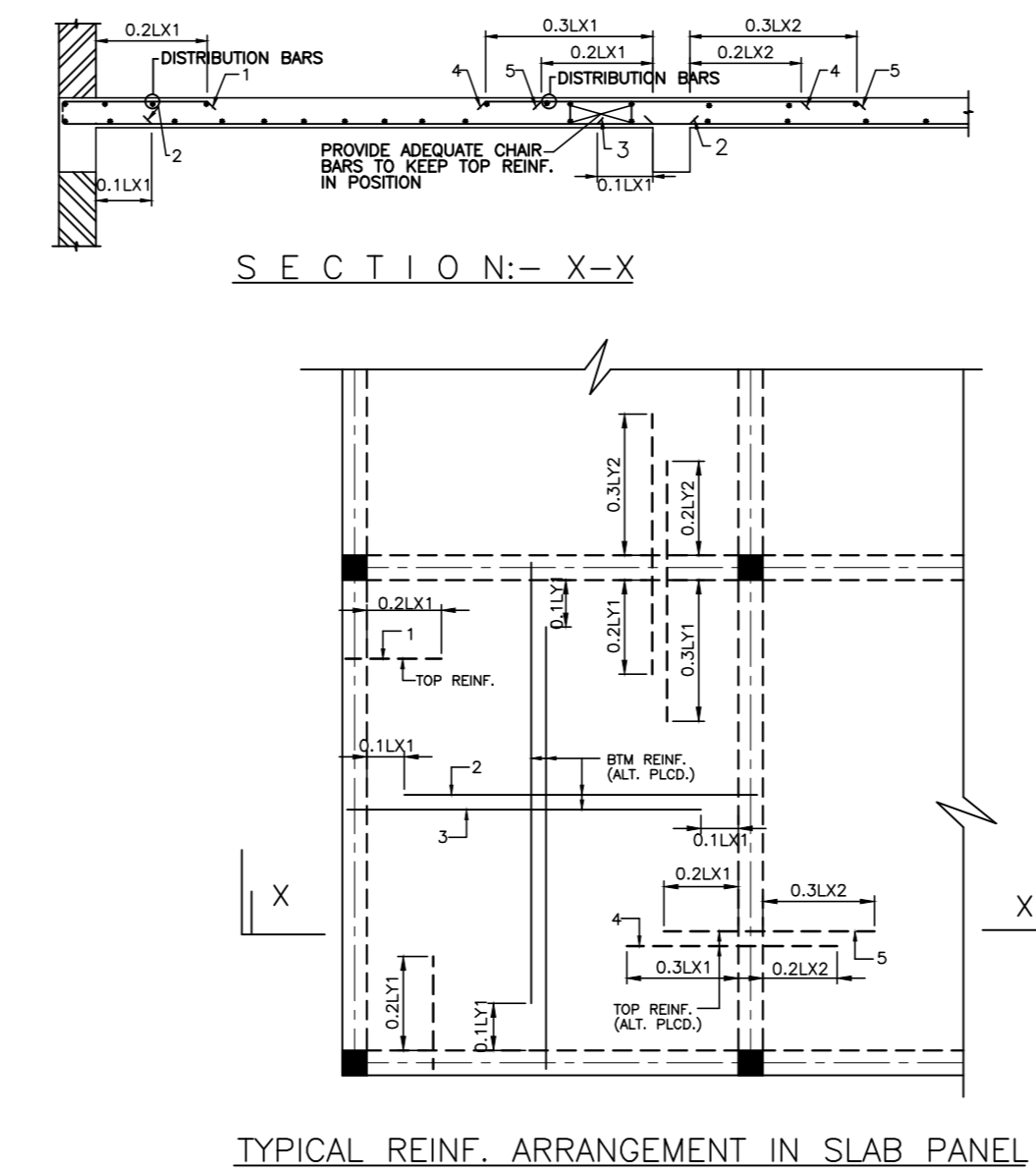
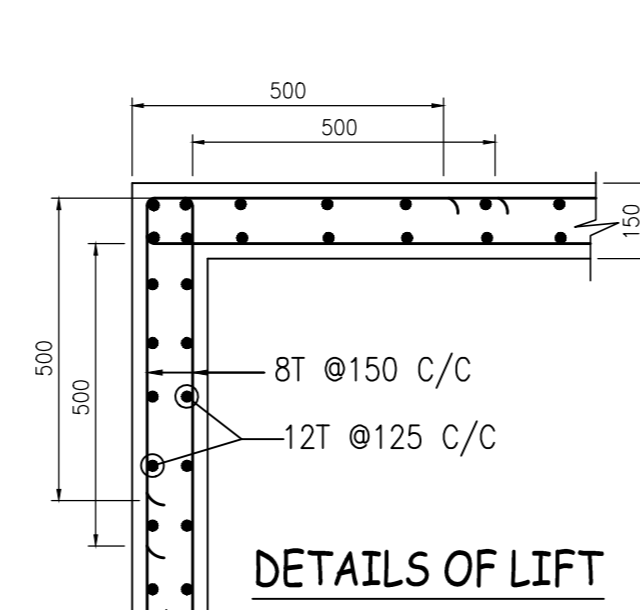
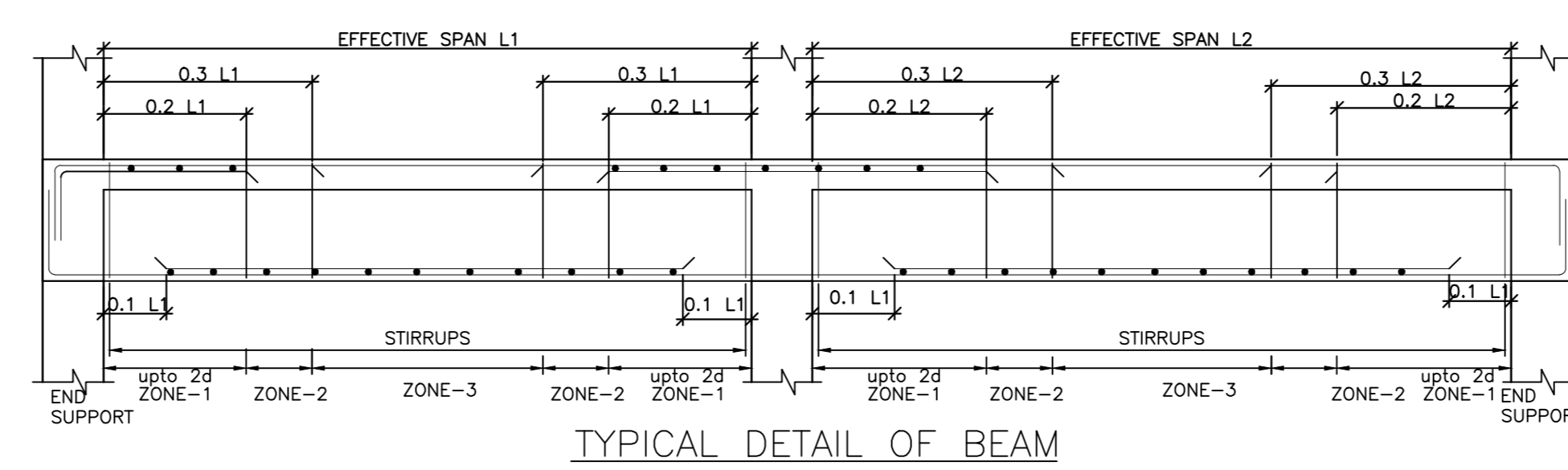
ROOF TO UPPER ROOF LEVEL	250	4-16#T
COL. SIZE	250x250	
LEVEL	COL. MKD.	S11
LINKS AS SPECIFIED	8 TOR @ 150 MM C/C	

COLUMN SCHEDULE			
3RD FLOOR TO ROOF LEVEL	FOUNDATION TO 3RD FLOOR LEVEL	COL. SIZE	LEVEL
6-16#T+4-12#T 4-16#T 4-16#T 4-16#T	12-16#T 4-20#T+8-16#T 4-16#T 4-16#T	300x500 300x500 300x500	C1, C2, C3, C4, C11, C14, C15, C16, C17, C18, C19, C20, C21, C22 C5, C6, C7, C8, C9, C11, C12 C10
LINKS AS SPECIFIED	8 TOR @ 100/150 MM C/C (3 LINKS PER SET) 8 TOR @ 100/150 MM C/C (4 LINKS PER SET)		

SCHEDULE OF TIE BEAMS										
BEAM MKD.	SIZE		REINFORCEMENT							
	WIDTH (mm)	DEPTH (mm)	END SUPP.		SPAN		CONT. SUPP.		STIRRUPS	
TB1	250	450	2-16#	2-16#	2-16#	2-16#	2-16#	2-16#	2L-8# @ 125 C/C	150 C/C
TB2	250	450	2-16#	2-16#	2-16#	2-16#	2-16#	2-16#	2L-8# @ 125 C/C	150 C/C
TB3	250	450	3-16#	3-16#	3-16#	3-16#	3-16#	3-16#	2L-8# @ 125 C/C	150 C/C
TB4	250	500	3-16#	3-16#	3-16#	3-16#	3-16#	3-16#	2L-8# @ 125 C/C	150 C/C

SCHEDULE OF FLOOR BEAMS										
BEAM MKD.	SIZE		REINFORCEMENT							
	WIDTH (mm)	DEPTH (mm)	END SUPP.		SPAN		CONT. SUPP.		STIRRUPS	
FB1	250	450	2-16#	2-16#	2-16#	2-16#	2-16#	2-16#	2L-8# @ 125 C/C	150 C/C
FB2	250	450	2-16#	2-16#	2-16#	2-16#	2-16#	2-16#	2L-8# @ 125 C/C	150 C/C
FB3	250	450	2-16#	2-16#	2-16#	2-16#	2-16#	2-16#	2L-8# @ 125 C/C	150 C/C
FB4	250	500	3-16#	3-16#	3-16#	3-16#	3-16#	3-16#	2L-8# @ 125 C/C	150 C/C

SCHEDULE OF ROOF BEAMS										
BEAM MKD.	SIZE		REINFORCEMENT							
	WIDTH (mm)	DEPTH (mm)	END SUPP.		SPAN		CONT. SUPP.		STIRRUPS	
RB1	250	450	2-16#	2-16#	2-16#	2-16#	2-16#	2-16#	2L-8# @ 125 C/C	150 C/C
RB2	250	450	2-16#	2-16#	2-16#	2-16#	2-16#	2-16#	2L-8# @ 125 C/C	150 C/C
RB3	250	450	2-16#	2-16#	2-16#	2-16#	2-16#	2-16#	2L-8# @ 125 C/C	150 C/C
RB4	250	500	3-16#	3-16#	3-16#	3-16#	3-16#	3-16#	2L-8# @ 125 C/C	150 C/C



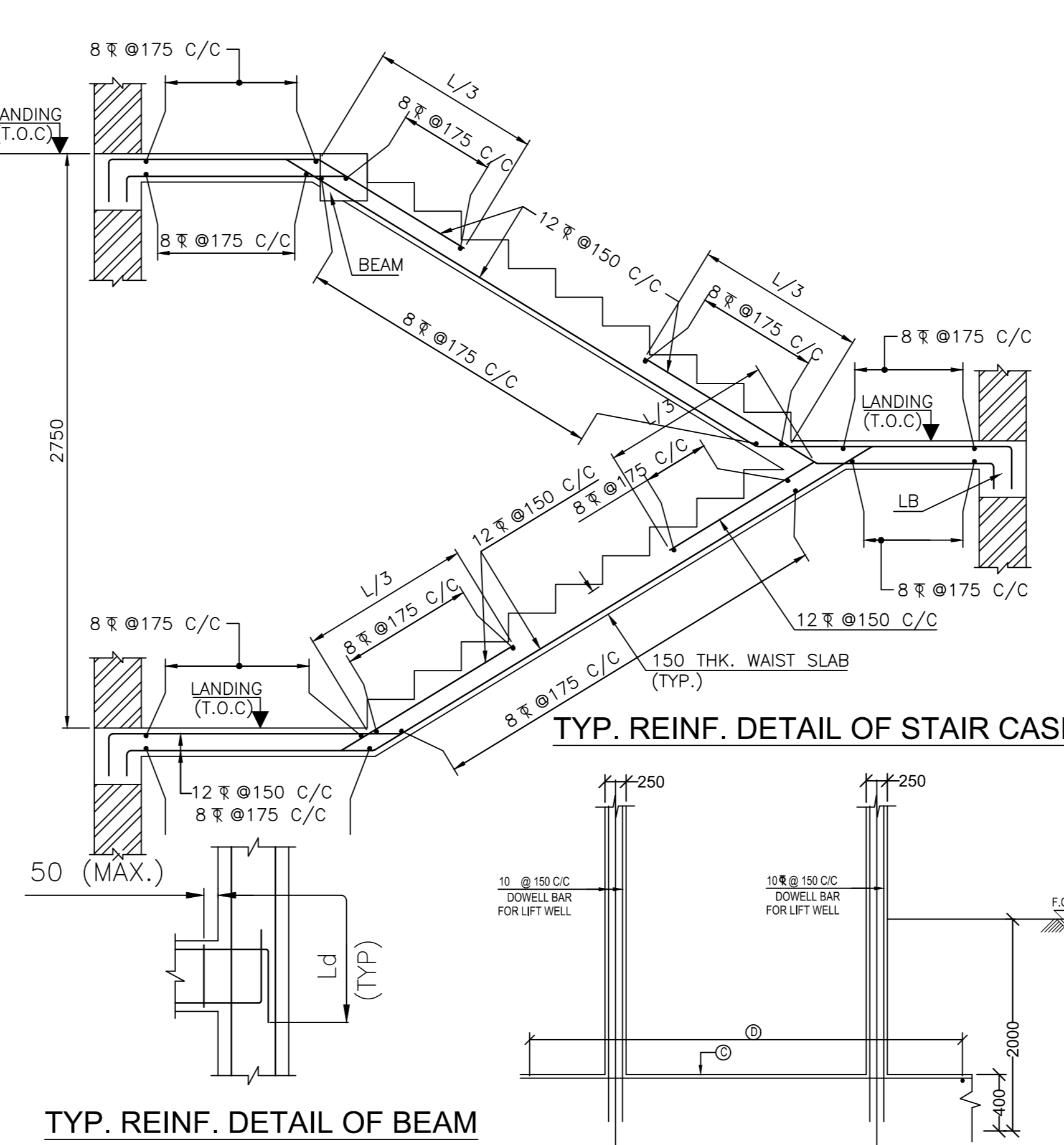
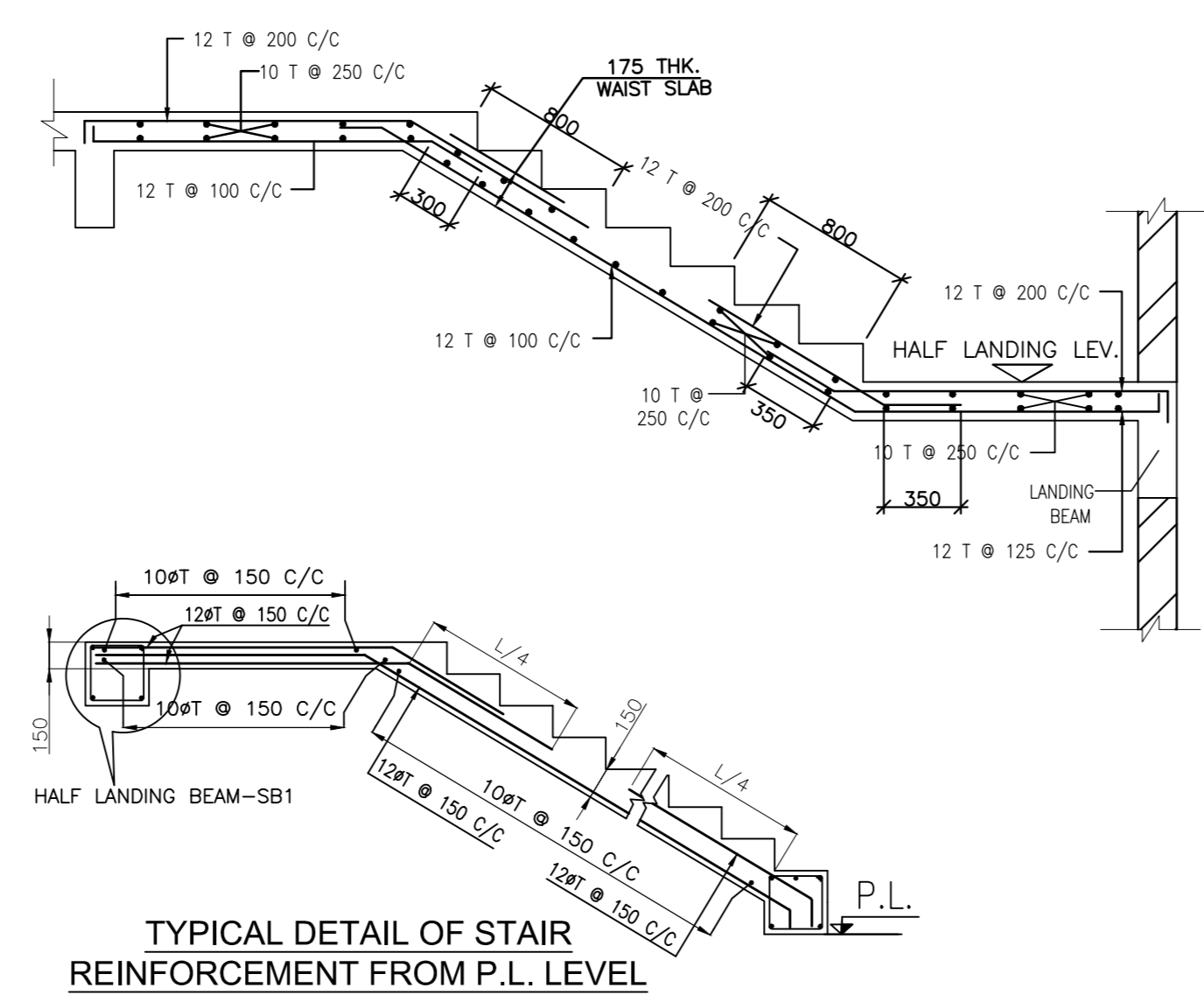
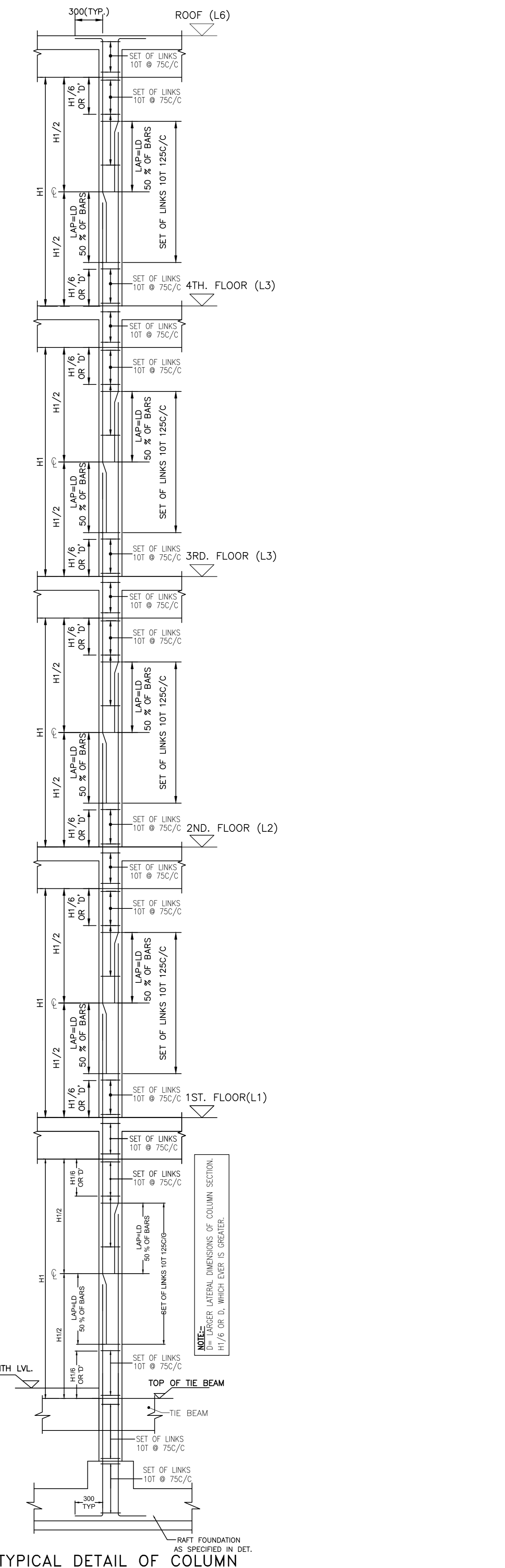
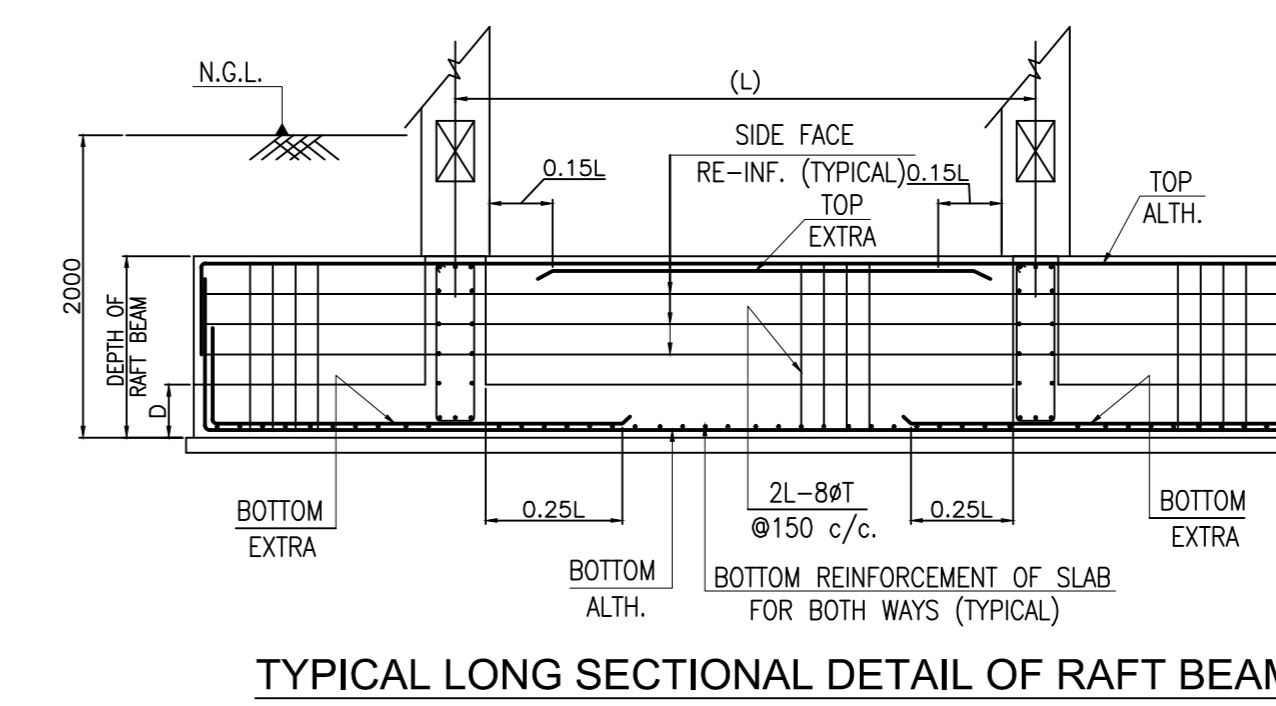
TITLE :- STRUCTURAL PLAN

OWNERS NAME:-
 (1) SRI GOUTAM GHOSH, S/O LATE SAROJ KUMAR GHOSH, (2) SMT. SUTAPA GHOSH, W/O SRI GOUTAM GHOSH,
 COMMERCIAL BUILDING OF (1) SRI GOUTAM GHOSH, S/O LATE SAROJ KUMAR GHOSH, (2) SMT. SUTAPA GHOSH, W/O SRI GOUTAM GHOSH,
 MOUZA + P.S.- CHINSURAH, J.L. NO.- 20, R.S. KHATIAN NO.- 5814, R.S. DAG NO.- 7235, L.R. KHATIAN NO.- 17111 & 17112, L.R. DAG NO.- 8846,
 WARD NO.- 23, HOLDING NO.- 23/21, MOHALLA - TOLAFATAK (WEST),
 UNDER HOOGHLY - CHINSURAH MUNICIPALITY, DIST.- HOOGHLY.

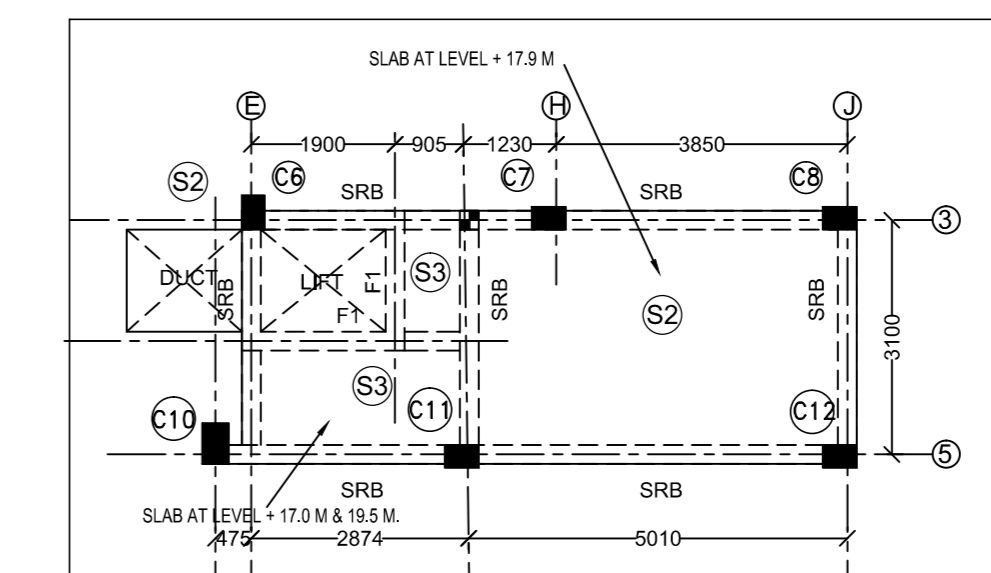
- NOTES AND SPECIFICATION
- ALL DIMENSIONS ARE IN MM. UNLESS OTHERWISE MENTIONED.
 - ANY AMBIGUITY IN THE DRAWINGS SHOULD BE IMMEDIATELY BROUGHT TO THE NOTICE OF THE CONSULTANT BEFORE COMMENCING SUPER STRUCTURE. SUPER STRUCTURE SHALL BE OF 1ST CLASS BRICK IN 1:6 CEMENT MORTAR.
 - THIS DRAWING IS TO BE READ ALONG WITH ALL RELEVANT ARCHITECTURAL DRAWINGS.
 - ALL GRADE OF CONCRETE M25 UNTILL & UNLESS MENTIONED
 - ALL MATERIALS SHALL CONFORM TO RELEVANT I.S. CODES.
 - FOR STEEL GRADE Fe 500 AS PER IS 1979-2007.
 - ALL DISTRIBUTION BARS ARE 8# @ 250 C/C AND TO BE PROVIDED
 - ALL CHAIRS ARE 10T AND TO BE PROVIDED WHEREVER REQUIRED.
 - ALL SPACER BARS ARE 25T @ 300 C/C AND TO BE PROVIDED
 - LAPS, SPICES & BOND LENGTH SHOULD BE 50 D WHERE 'D' IS DIA OF BAR.
 - FOUNDATION & PLINTH : BRICKWORK IN FOUNDATION & PLINTH SHALL BE OF 1ST CLASS BRICK IN 1:6 CEMENT MORTAR.
 - MINIMUM CLEAR COVER TO MAIN REINFORCEMENT IS AS FOLLOWS:

MEMBER	TOP	BOTTOM	SIDE
a. FOUNDATION BEAM & SLAB	50	50	50
b. COLUMN	40	40	40
c. FLOOR BEAM	30	30	30
d. TIE BEAM	30	30	30
e. FLOOR SLAB	20	20	20

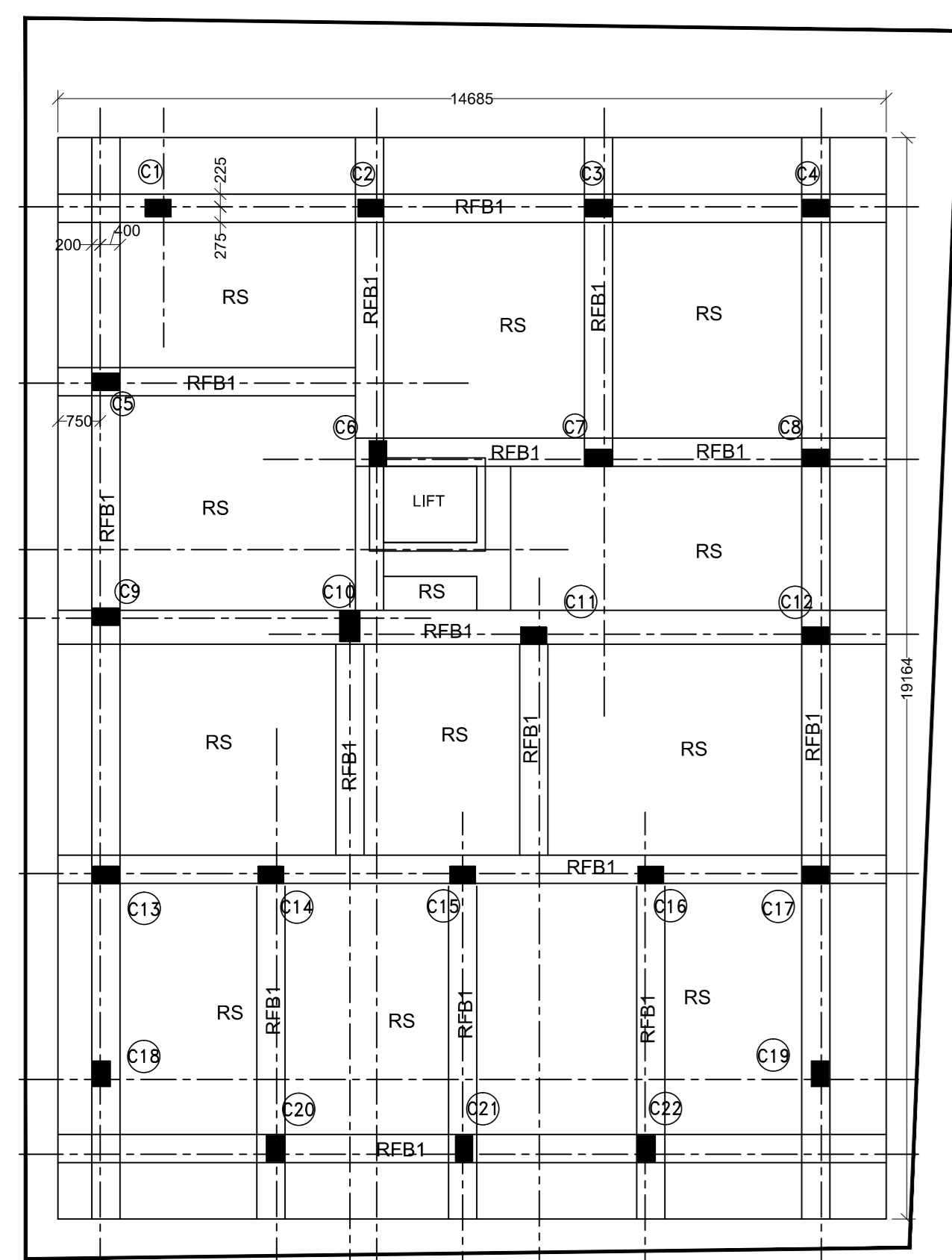
DRAWING TITLE:- FOUNDATION LAYOUT,COLUMN,BEAM,SLAB SCHEDULE,TIE BEAM DETAIL,STAIR DETAIL,TYP. SECTION OF FOUNDATION			
SCALE	DATE	REVISION	NANDI & ASSOCIATES Consulting Civil Engineers #14/30/2004, 5330074642
1:100	10/10/2023		
IMRAN	GOUTAM	RO	



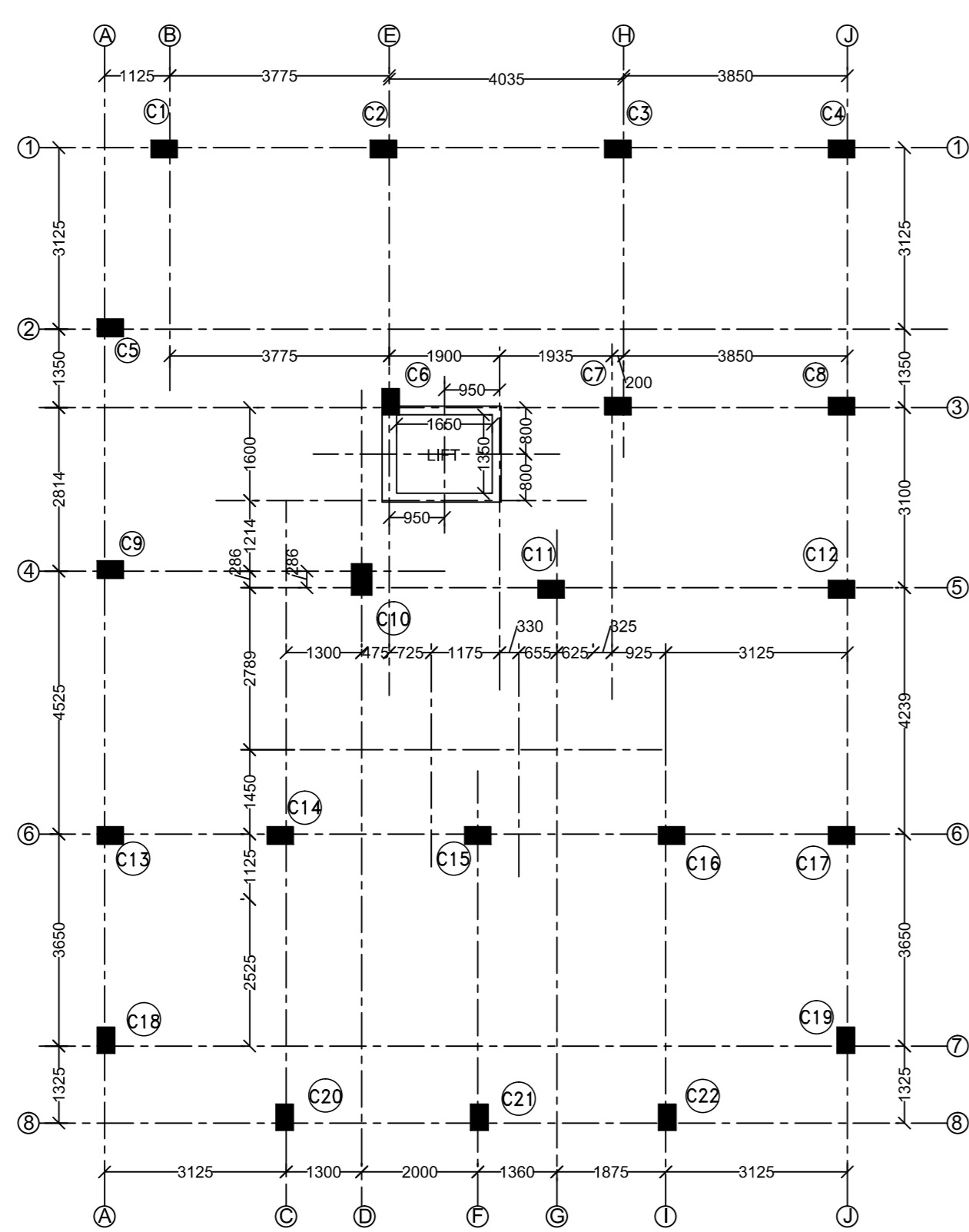
TYP. REINF. DETAIL OF BEAM



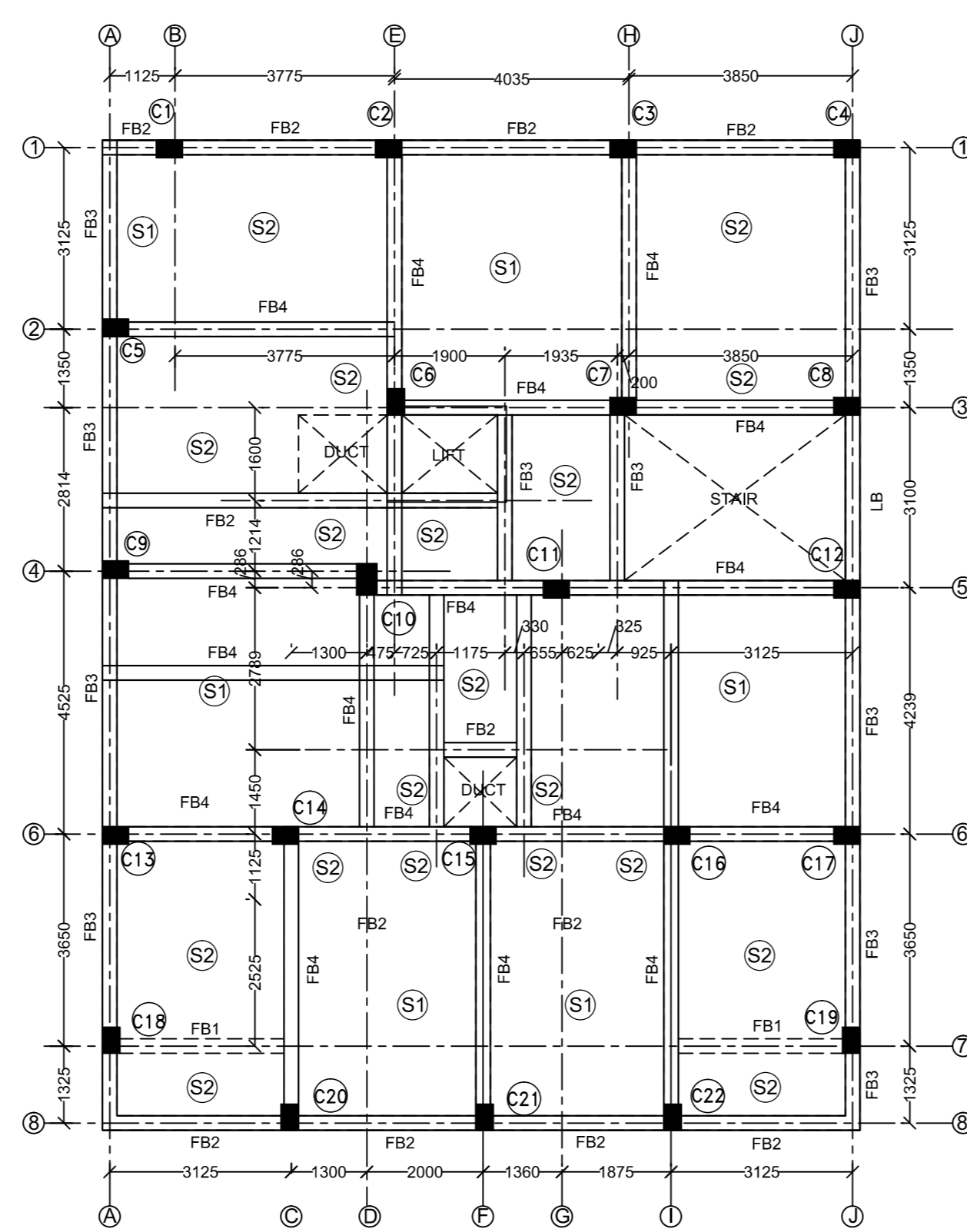
STAIR ROOF AND LIFT M/C ROOM FLOOR & ROOF BEAM G. A. & SLAB LAYOUT PLAN SCALE = 1:100



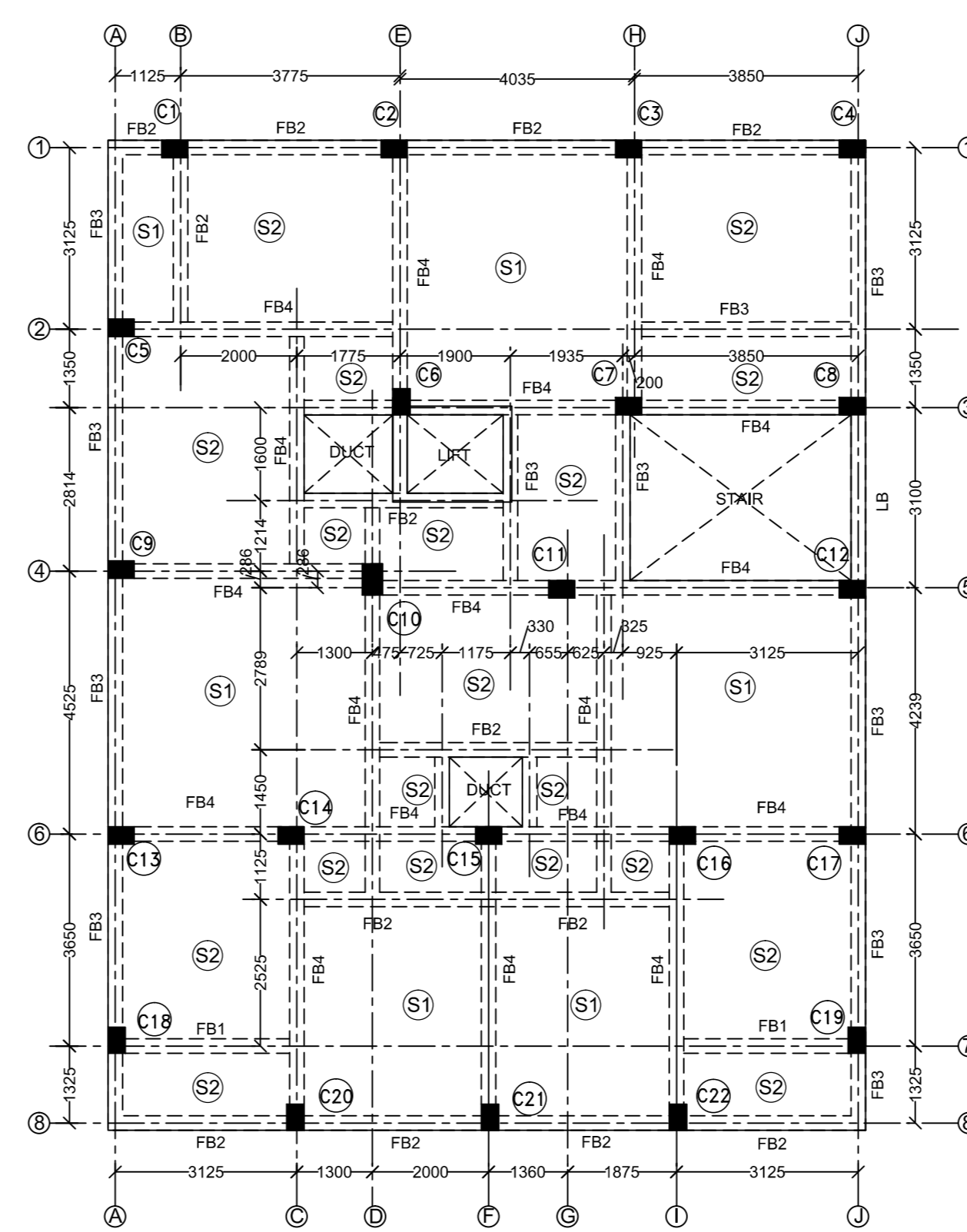
FOUNDATION LAYOUT PLAN SCALE = 1:100



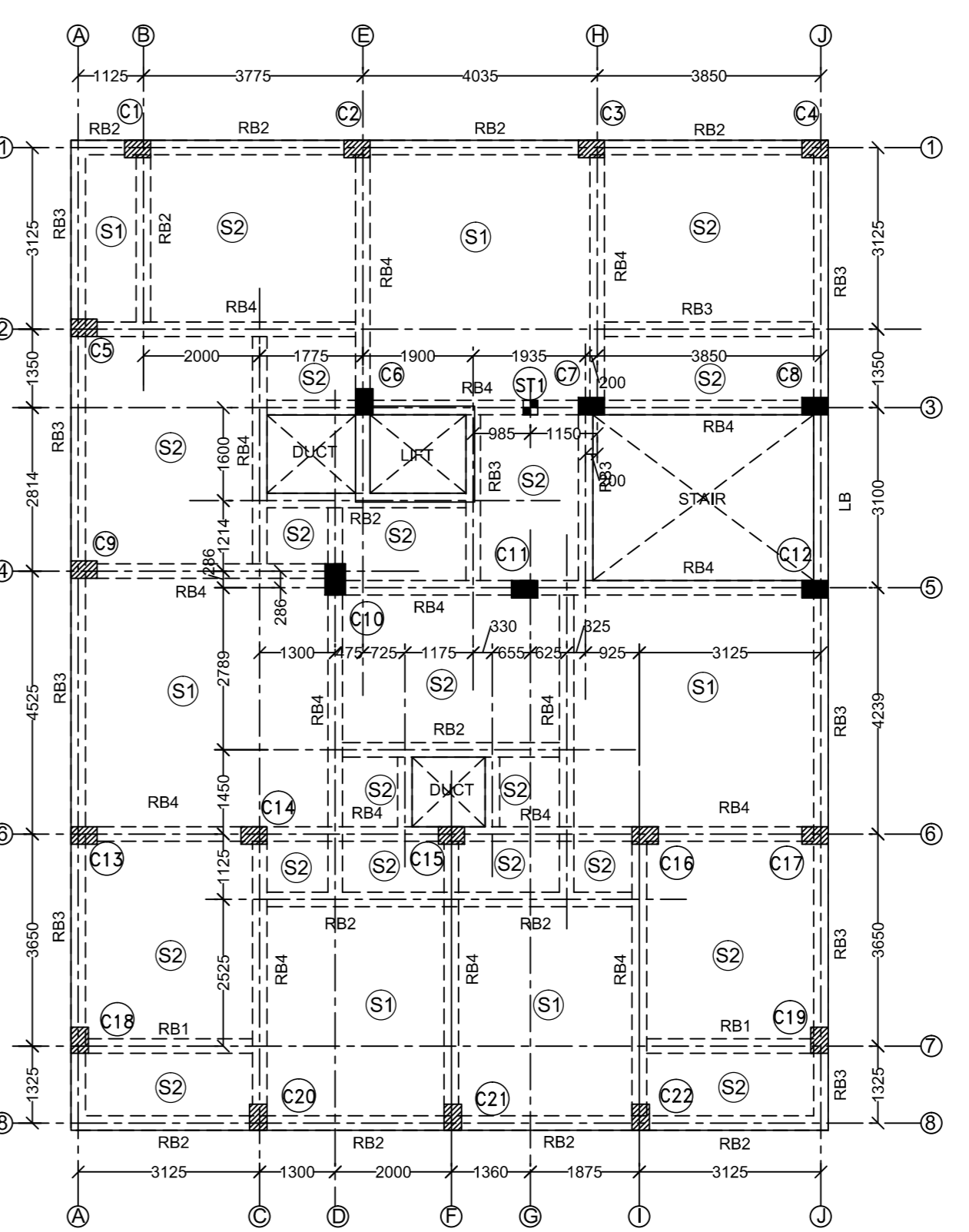
COLUMN LAYOUT PLAN SCALE = 1:100



TIE BEAM LAYOUT PLAN SCALE = 1:100



TYPICAL FLOOR BEAM G. A. & SLAB LAYOUT PLAN SCALE = 1:100



ROOF BEAM G. A. & SLAB LAYOUT PLAN SCALE = 1:100